

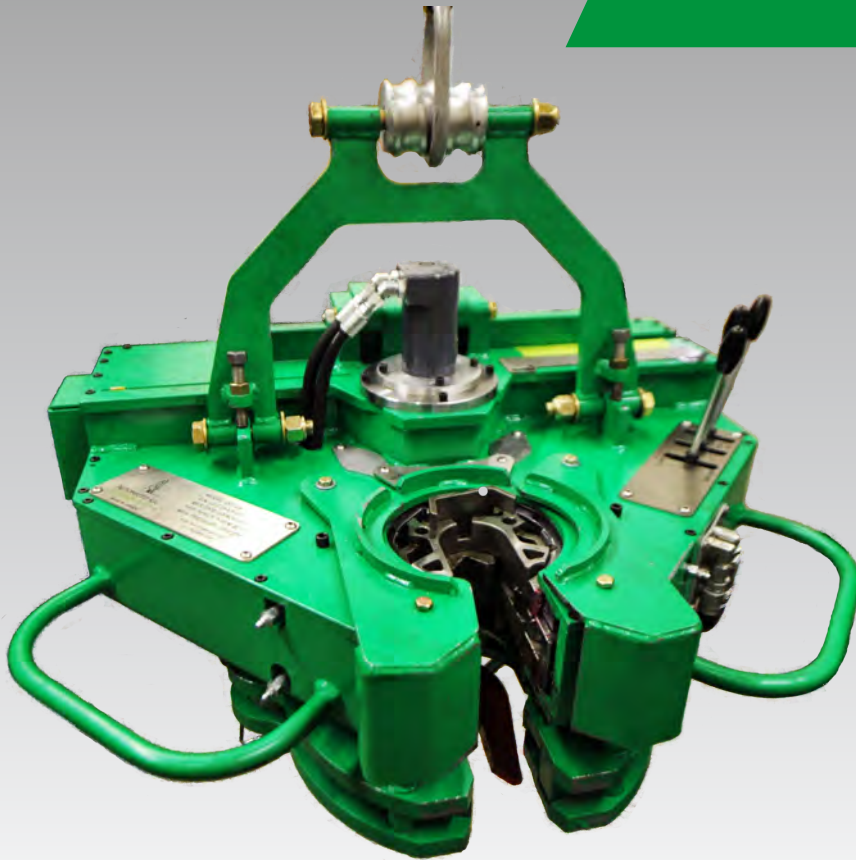


**AUTOMATED RIG
TECHNOLOGIES** LTD.

"Advancing Industry Through Innovation"

CD ROD TONG™

Circumferential Displacement



MODEL #: CDT-24
US Patent #10,711,542

Benefits

- Recognizes the shoulder and then moves a pre-defined distance (CD)
- Smooth breakout completely eliminates shock loading the pin
- Fully mechanical - No electronics required
- Easily operable by standard rig crews

CD Rod Tong™ (Circumferential Displacement Sucker Rod Tong)

Current tongs were never designed to stop at shoulder, recognize shoulder or move to any predetermined position beyond shoulder. They were mechanically engineered to deliver speed and an approximate torque.

The Automated Rig Technologies CD Rod Tong™ has been designed to spin to shoulder and move a set distance (CD) that is operator adjustable.

This tong will make up single or double connections and is **fully mechanical**, meaning there are no electronics on the tong. This leads to **quicker and easier field maintenance and repairs**. Optional electronic monitoring and data acquisition can be installed for logging all connections.

GET STARTED with Automated Rig Technologies CD ROD TONG™

Contact us today to find out more about the CD ROD TONG™

Call +1 (780) 955-2556

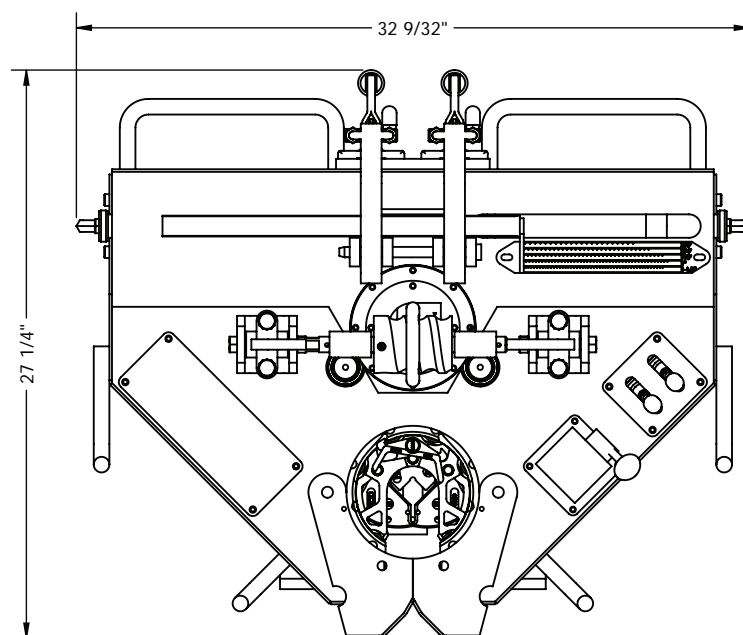
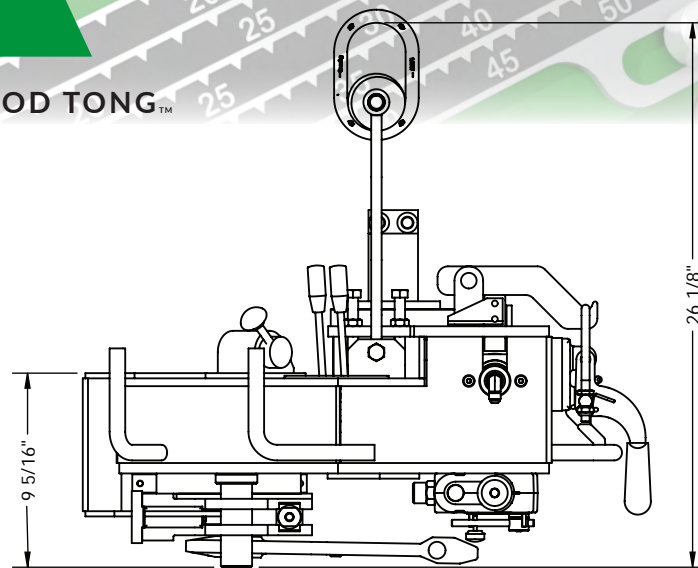
or email: sales@automatedrig.com

Features

- Unaffected by variations in hydraulic system temperature & viscosity
- Can be fully instrumented to confirm and data log CD achievement
- Integrates the Reversible Tong Jaw design
- Replaces existing floor sucker rod tongs
- Operator adjustable
- Makes up single and double connections
- Fully mechanical - no electronics in the tong
- Three Lever operation - quick and easy

Technical Specifications

- 5/8" - 1-1/2" Sucker Rod Connections
- Weight: 450lbs
- Max Torque 2400 ft lbs.
- Hydraulic Requirements 5gpm @2000psi



**AUTOMATED RIG
TECHNOLOGIES** LTD.

WHO WE ARE

"Advancing Industry Through Innovation"

We are in the business of building the best well servicing equipment, continuous and conventional rod rigs. In addition, we provide parts and service for your fleet with speed and professionalism. We deliver on time, on spec and at the best prices.

Automated Rig Technologies Ltd.
Operations
9217 - 27 Avenue NW Edmonton, Alberta, Canada T6N 1C9

Phone: 403.723.6602
Fax: 403.723.6608
Phone: 780.955.2556

Website: www.automatedrig.com
Email: sales@automatedrig.com

