



"Advancing Industry Through Innovation"

**AUTOMATED RIG
TECHNOLOGIES** LTD.

Fireblade® Continuous Rod Welder



Our standard Fireblade® Welder Package:

- Easily mounts in the bed of your pickup
- Is highly mobile
- Slides out to a comfortable working height
- Is self-contained

We can offer a variety of options above and beyond the standard pickup truck mounting arrangement:

- Mounted on a trailer
- Mounted on a skid with lifting lugs
- Mounted directly to your TMX®

Fireblade®

Automated Rig Technologies FIREBLADE® welder utilizes patented oxy-acetylene technology that not only **provides a superior weld** but is **easy to use and maintain**. These features combine to allow coiled rod service companies to work longer and more effectively when cutting, splicing and welding coiled rod.

GET STARTED with Automated Rig Technologies FIREBLADE®

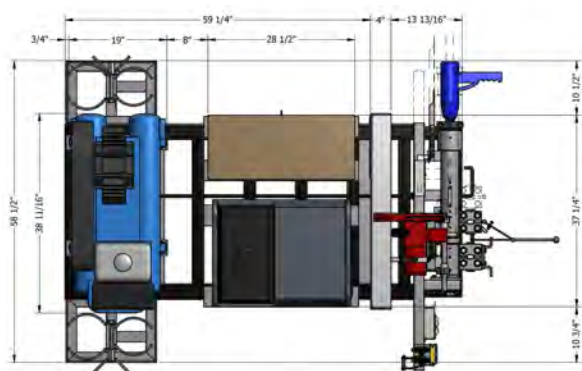
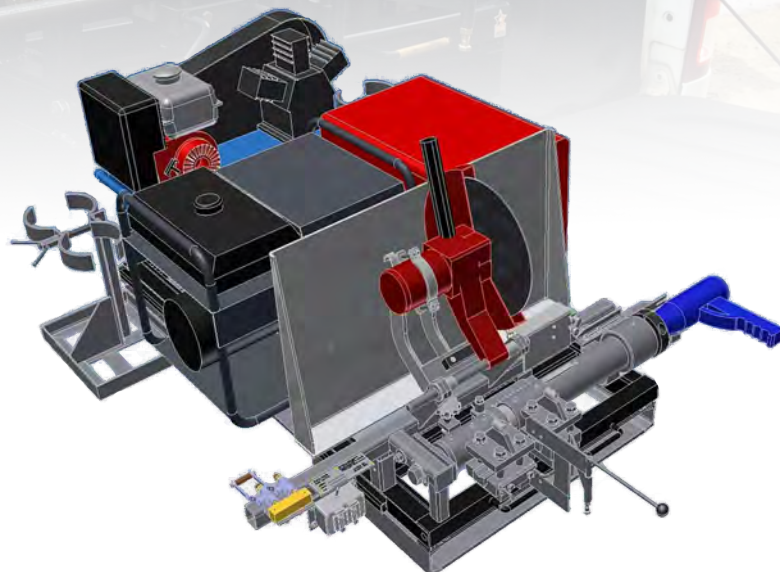
Contact us today to find out more about the FIREBLADE®.

Call +1 (780) 955-2556

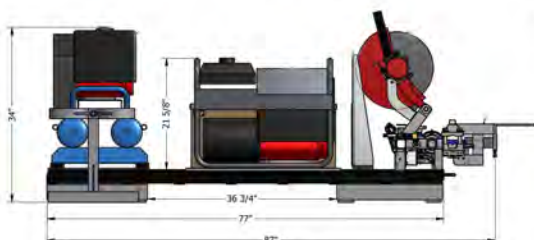
or email: sales@automatedrig.com

Technical Specifications

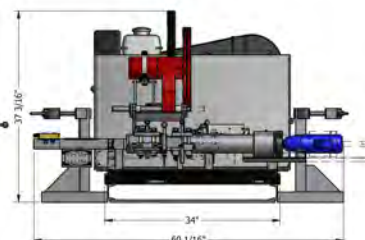
- Capable of back to back repetitive welding, no wait times
- Fast and efficient welds
- Ability to weld any size, grade and manufacturer of continuous sucker rod, including elliptical rod
- Includes 4000 W Gas Generator and 9 HP Air Compressor
- Optional tooling package available



PLAN VIEW



D/S VIEW



END VIEW



**AUTOMATED RIG
TECHNOLOGIES** LTD.

WHO WE ARE

"Advancing Industry Through Innovation"

We are in the business of building the best well servicing equipment, continuous and conventional rod rigs. In addition, we provide parts and service for your fleet with speed and professionalism. We deliver on time, on spec and at the best prices.

Automated Rig Technologies Ltd.
Operations
9217 - 27 Avenue NW Edmonton, Alberta, Canada T6N 1C9

Phone: 403.723.6602
Fax: 403.723.6608
Phone: 780.955.2556

Website: www.automatedrig.com
Email: sales@automatedrig.com

