

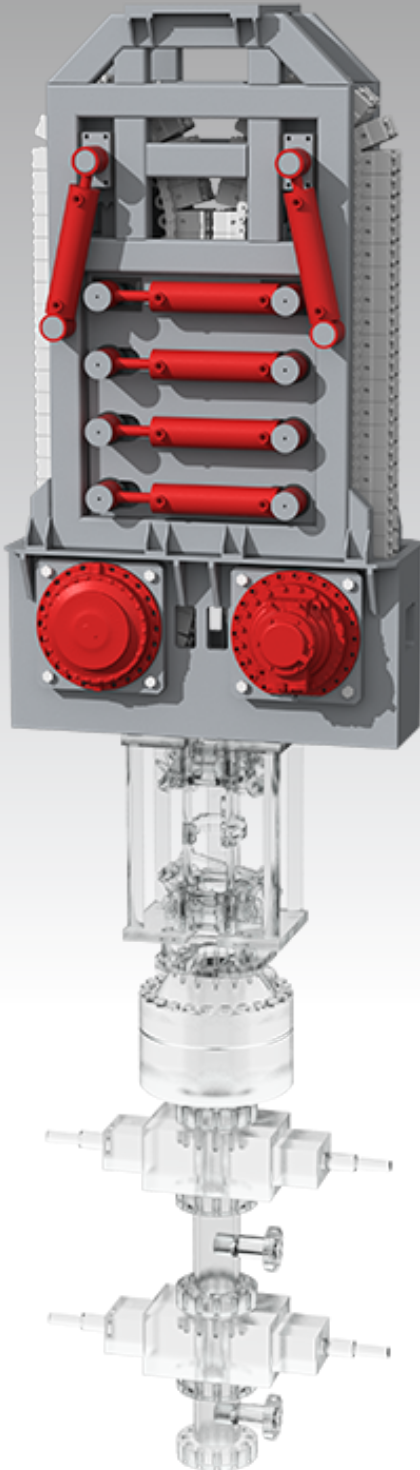


"Advancing Industry Through Innovation"

**AUTOMATED RIG
TECHNOLOGIES LTD.**

JPI

Jointed Pipe Injector



The next generation in Completions, Well Intervention Workover & Servicing for horizontals is the Jointed Pipe Injector Technology, that runs pipe continuously into or out of the hole, never loses grip of the pipe while gripping above and below the coupling but not on the coupling.

The centerpiece of this new technology is the Patent Pending Retractable Gripper Block System.

The retractable gripper blocks continuously grip above, grip below, but do not grip on the coupling or tool joint between tubulars.

Features

- Continuous grip on tubular
- Low buckling length
- Reduces time onsite
- High trip speeds, 3000 ft/hr
- Pull, Push & Rotate

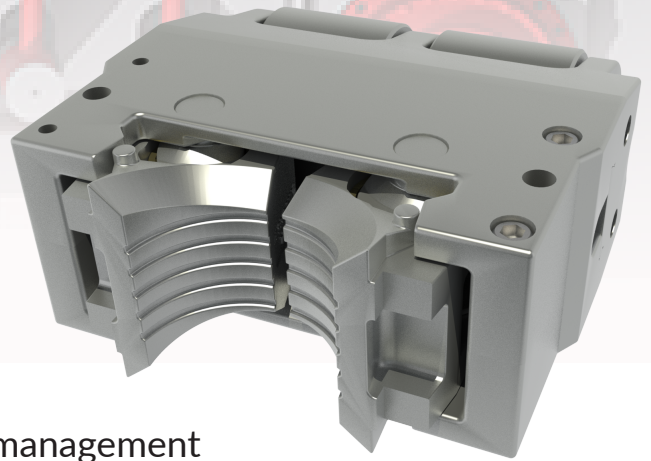
"The Speed of Coil, The Reach of Jointed Pipe, The Control of Auto Drilling"

GET STARTED with Automated Rig Technologies JPI

Contact us today to find out more about the JPI.

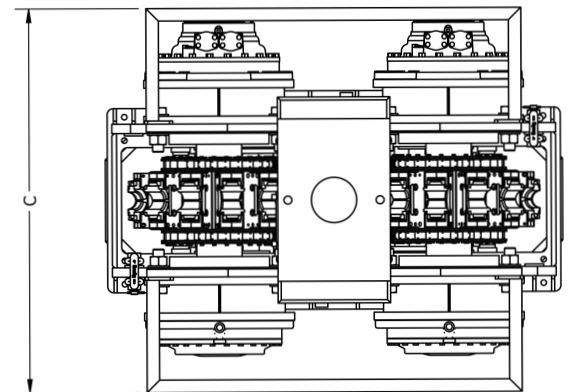
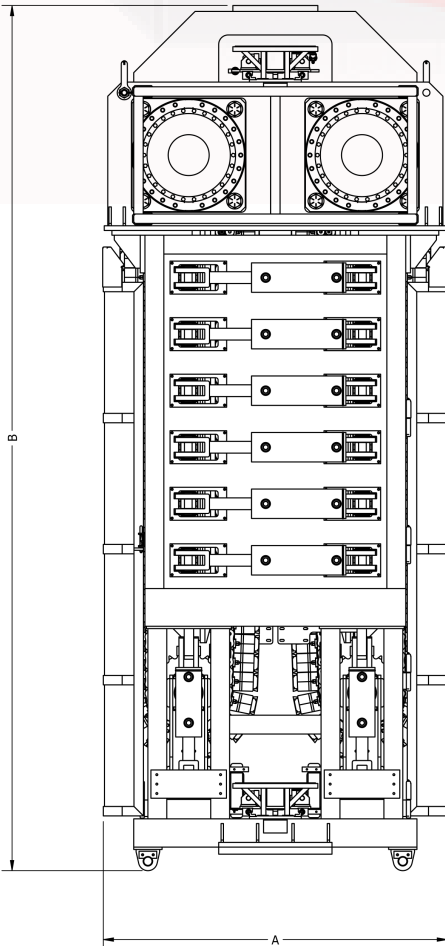
Call +1 (780) 955-2556

or email: sales@automatedrig.com



Benefits

- Balance point management
- Remove operators from basket
- Reduced crew sizes
- Data Acquisition
- Drilling Controls, Auto Drill



Model	HP	Height B	Width C	Width A	Weight	Pull Force	Push Force	Tubular Sizes
100K	150	15'	5'	6'	23,000#	100,000#	50,000#	2-3/8" - 4.5"
150K	200	16'	5'	6'	25,000#	150,000#	75,000#	2-3/8" - 4.5"
250K	300	18'	6'	7'	30,000#	250,000#	175,000#	2-3/8" - 5.5"
350K	400	21'	6'	7'	35,000#	350,000#	175,000#	2-3/8" - 5.5"



AUTOMATED RIG TECHNOLOGIES LTD.

WHO WE ARE

"Advancing Industry Through Innovation"

We are in the business of building the best well servicing equipment, continuous and conventional rod rigs. In addition, we provide parts and service for your fleet with speed and professionalism. We deliver on time, on spec and at the best prices.

Automated Rig Technologies Ltd.

9217 - 27 Avenue NW Edmonton, Alberta, Canada T6N 1C9

Phone: 403.723.6602

Fax: 403.723.6608

Phone: 780.955.2556

Website: www.automatedrig.com

Email: sales@automatedrig.com

