

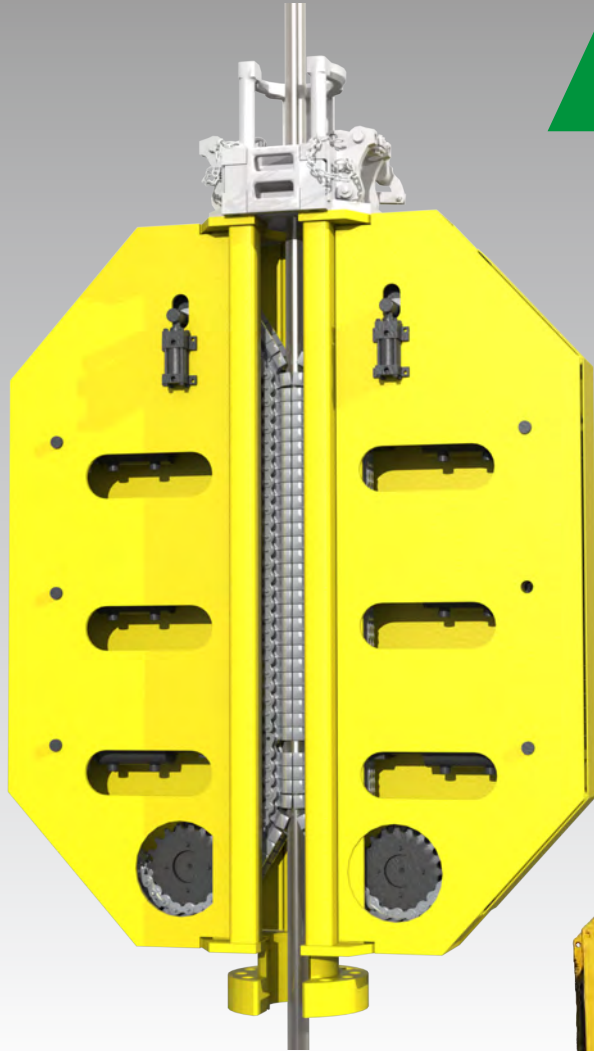


"Advancing Industry Through Innovation"

**AUTOMATED RIG
TECHNOLOGIES** LTD.

PTI™

Production Tubing Injector



MODEL #: PTI-15



Benefits

- Upgrades Conventional Pulling Service Rigs to Push Stick Tubing
- No Snubbing or Coiled Tubing units required
- Fast rig up
- Runs off of rig hydraulic system
- Simple controls
- Same rig crew for Rig and injector
- Seamlessly transition from Draw-works to pushing and vice versa
- Compact, fits under existing work floor
- Open face

PTI™

(Production Tubing Injector)

The Production Tubing Injector upgrades Conventional Pulling Rigs to Push Completion & Work Over Strings into Extended Reach Horizontal and Low Pressure Well Bores.

Our experienced mechanical, hydraulic and electrical staff install commission and support your equipment 24 hours a day 365 days a year!

Contact us today to experience service that is second to none!

GET STARTED with Automated Rig Technologies PTI™

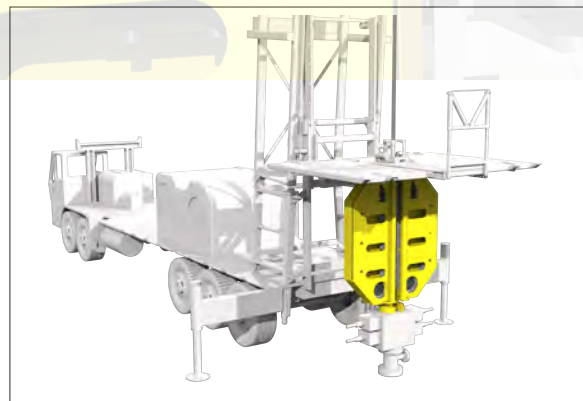
Contact us today to find out more about the PTI.

Call +1 (780) 955-2556

or email: sales@automatedrig.com

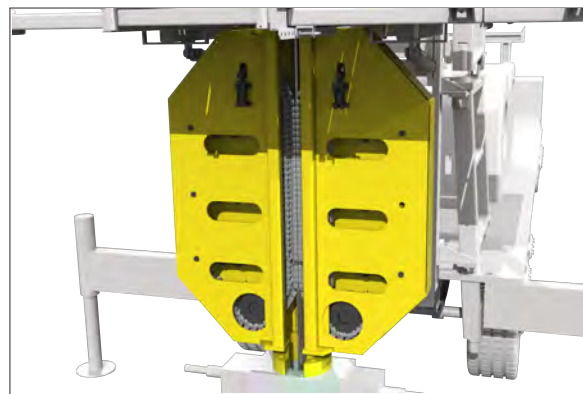
Features

- Fit for Purpose Designed Compact Stick Tubing & Pipe Injector installed below the Work Floor of a Conventional Pulling Rigs
- Designed to Continuously Move Single and Double Stands of Tubing and Pipe
- No Coiled Tubing or Snubbing Rigs Required
- Slips mount directly to frame
- Bolts directly to wellhead



Technical Specifications

- 7-1/16" Flange on bottom for mounting to BOP stack
- Handles 2 3/8", 2 7/8", & 3 1/2"
- 15,000 lbs of push
- 60 Feet per Minute
- Weight: 5000 Lbs
- Dimensions: 30" D x 68" W x 86" H
- Slip Load Capacity: 200,000 Lbs



WHO WE ARE

"Advancing Industry Through Innovation"

We are in the business of building the best well servicing equipment, continuous and conventional rod rigs. In addition, we provide parts and service for your fleet with speed and professionalism. We deliver on time, on spec and at the best prices.